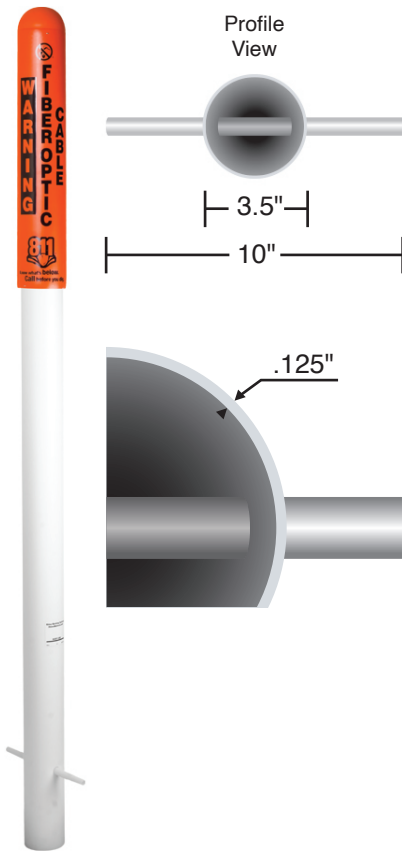




# RhinoDome™ Marker Post Fact Sheet

Part# RDR



For the fans of dome-style marker posts, we have you covered. What makes our RhinoDome™ exceptional is its durability and overall visibility. The graphics are hot-stamped directly into the post, ensuring the warning message will remain visible throughout the entire lifespan of the marker. The topper can be retrofit on to faded or outdated markers.

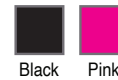
### Description:

- Standard lengths: 66" | 72" | 78" | 84" | 90" | 96"
- 3.5" outside diameter
- .125" wall thickness
- 21" dome topper
- 10" anchor tube for locking the post into the ground
- 18" bury-depth decal included
- Made with RhinoPoly® – our proprietary blend of thermoplastics
- Performs in temperatures ranging from -40 to +150°F
- The round design of the RhinoDome™ is great for overall visibility
- Standard one-color hot-stamped graphic on two locations
- Designed for 10+ years of outdoor use with our 10-year warranty

### Standard Topper Colors



### Alternative Topper Colors (Call for details)



### Standard Post Colors



Installation  
Video

## Options & Add-Ons



RhinoDome Topper Used to retrofit faded/outdated posts  
Part# RDR\_\_\_\_\_



RhinoDome Wrap™ Used to retrofit faded/outdated posts  
Part# RDG\_\_\_\_\_

RhinoDome™  
TEST STATIONS  
AVAILABLE

GENERIC  
& CUSTOM  
LEGENDS  
AVAILABLE